



UNDERWRITERS LABORATORIES INC.
555 CLASSIFIED
PRIMARY FIRE DAMPER
FILE NO. R10250

THE CITY OF NEW YORK 909-89-SM
CALIFORNIA STATE FIRE MARSHALL 3225-1382:100

PARTS:

1. CURTAIN TYPE, INTERLOCKING BLADES
(22 GAUGE ASTM A-653 HOT-DIPPED GALVANIZED STEEL SHEET)
2. UL LISTED FUSIBLE LINK
(165°F STANDARD, 212°F OPTIONAL)
3. FRAME
(22 GAUGE ASTM A-653 HOT-DIPPED GALVANIZED STEEL SHEET)
4. STAINLESS STEEL CLOSURE SPRING
(NECESSARY FOR HORIZONTAL INSTALLATION)
5. CLOSURE SPRING MOUNTING BRACKET RAMP
(OPTIONAL)
6. MOUNTING TABS
(ON TOP AND BOTTOM OF FRAME)

FEATURES:

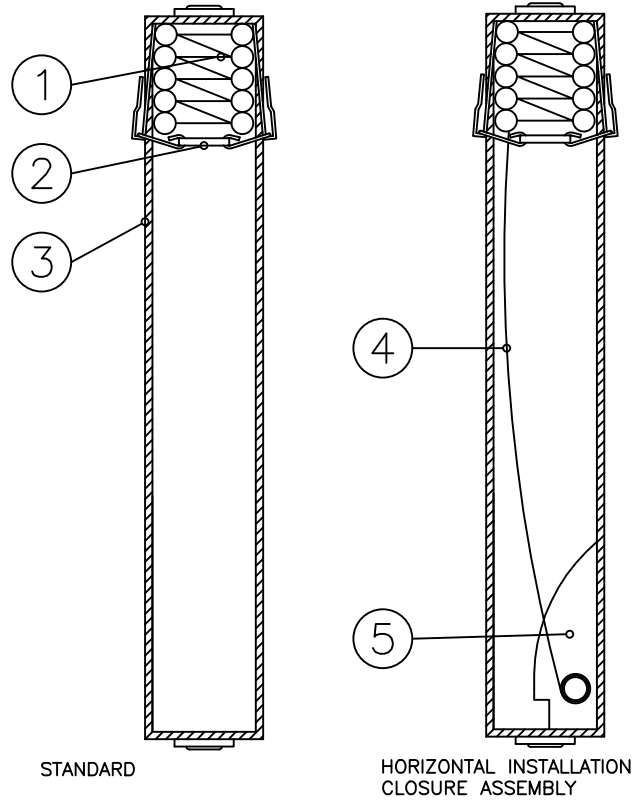
MEETS ALL UL AND NFPA REQUIREMENTS FOR PRIMARY FIRE DAMPERS.
APPROVED FOR USE WHERE DUCTS PENETRATE PARTITIONS WITH FIRE RESISTANCE RATINGS OF TWO HOURS OR LESS.

GRAVITY OPERATED FOR VERTICAL INSTALLATION ONLY.

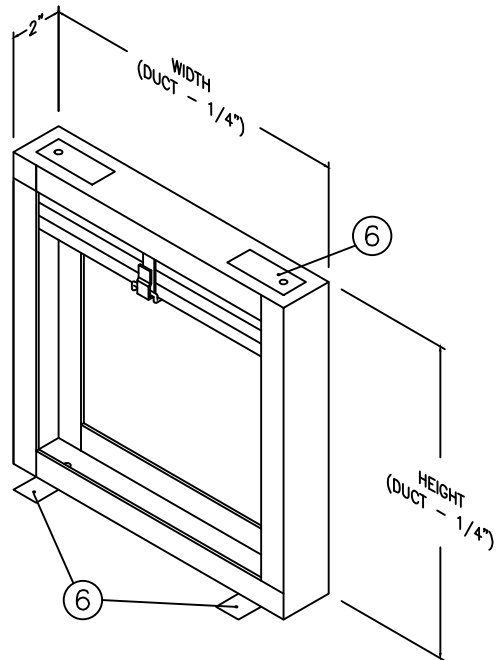
1 1/2 HOUR RATING, FOR USE IN FIRE BARRIERS RATED FOR 2 HOURS OR LESS.

6" X 6" MINIMUM / 36" X 24" MAXIMUM UNIT DIMENSIONS.

CUSTOM SIZES AVAILABLE.



JOB NAME:
LOCATION:
ARCHITECT:
ENGINEER:
CONTRACTOR:
CONTACT MIAMI TECH INC. FOR ADDITIONAL INFORMATION OR WITH SPECIAL REQUIREMENTS. 3611 NW 74TH ST MIAMI, FL 33147 PHONE: 305-693-7054 FAX: 305-693-6152 WEB: WWW.MIAMITECH.COM EMAIL: SALES@MIAMITECH.COM



150E

HORIZONTAL OR VERTICAL CURTAIN TYPE FIRE DAMPER
SLIMLINE, 1 1/2 HOURS, STATICALLY RATED
PRODUCT SPECIFICATIONS

NOTE: ALL DRAWINGS SUBJECT TO CHANGE WITHOUT PRIOR NOTICE.



DRAWN BY: AF	DATE: 11/12/07	SCALE: NOT TO SCALE	DRAWING NO. FD101-E
CHECKED BY: IG	DATE: 9/15/11	REVISION: 2	